



STAINLESS STEEL GLASS RINSERS

Rinses away any impurities that might be in the glass!

Item #: _____ Qty #: _____
 Model #: _____
 Project #: _____

FEATURES:

- Countertop Mount
- Brushed Stainless Steel
- 6" counter Mount
- Water Rinsers and Glass Actuator by pushing down on glass
- Threaded Drain For 1/2" Drain Hose
- Countertop Model SU-16:**
Mounts Easily In Underbar Equipment
- Undercounter Model SU-16UM:**
Mounts Easily to Underside Of Wood Substrate
- For Perforated Drainboards Model SU-16P:**
Factory Installed Only

MATERIAL:

- 18 gauge stainless steel
- Stainless steel Water rinser and glass actuator construction

MECHANICAL:

- 4-1/2" Glass Rinser Area
- Water Connection:** External -1/2" BSP (Standard Plumbing Connection)
- Drain Hose Connection:** 1/2" Flat Barb
- Drain:** Threaded Brass 3-1/2" x 5/8" x 18

Model #	O.A. Size	Rinser Size	Approx. Weight	Approx. Cu. Ft.
COUNTERTOP GLASS RINSER				
SU-16UP	6-3/8" W x 6-3/8" L x 3/4" H	6-3/8" W x 6-3/8" L x 1" H	7 lbs.	1
UNDERCOUNTER GLASS RINSER				
SU-16UM	6-3/8" W x 11-3/8" L x 1" H	6-3/8" W x 6-3/8" L x 1" H	8 lbs.	1
GLASS RINSER FOR PERFORATED DRAINBOARDS				
SU-16UP	4-1/2" Dia. x 3" H	4-1/2" Diameter	8 lbs.	1



**COUNTERTOP RINSER
SU-16**



**UNDERCOUNTER RINSER
SU-16UM**



**INTEGRAL RINSER
SU-16P**



Customer Service Available To Assist You 1-800-645-3166 8:30 am - 7:00 pm E.S.T.

For Orders & Customer Service:
 Email: customer@advancetabco.com or Fax: 631-242-6900

For Smart Fabrication™ Quotes:
 Email: smartfab@advancetabco.com or Fax: 631-586-2933

DIMENSIONS and SPECIFICATIONS

TOL Overall: ± .500" Interior: ± .250"

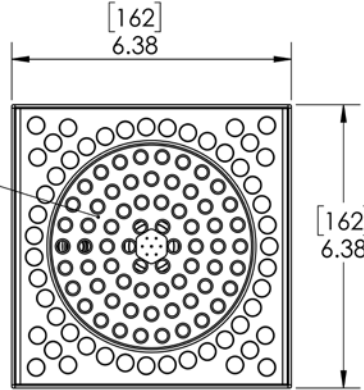
ALL DIMENSIONS ARE TYPICAL

SU-16/SU-16UM Glass Rinsers

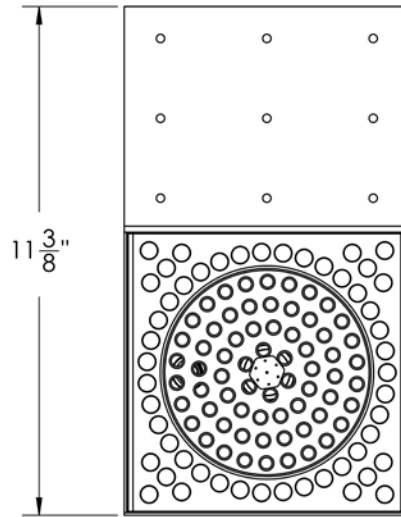
FACTORY INSTALL ONLY

Requires Check Valve, Shut-Off and Pressure Regulator Set To 15 PSI (Supplied By Others).

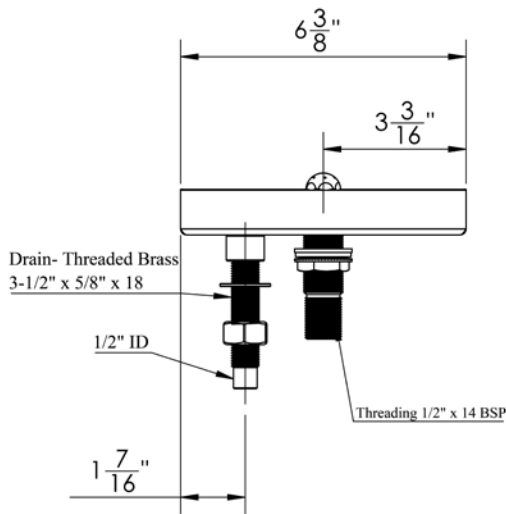
Press this Round Plate for Rinsing action



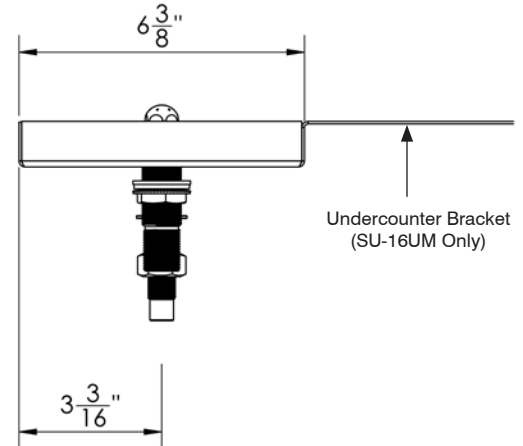
SU-16 TOP VIEW



SU-16UM TOP VIEW



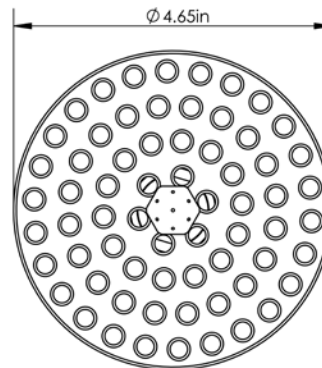
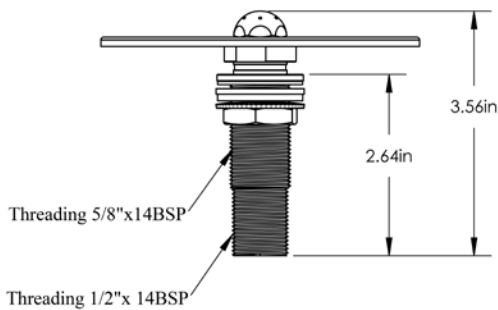
FRONT VIEW



SIDE VIEW

SU-16P Glass Rinsers for Perforated Drainboards

FACTORY INSTALL ONLY



ADVANCE TABCO is constantly engaged in a program of improving our products. Therefore, we reserve the right to change specifications without prior notice.